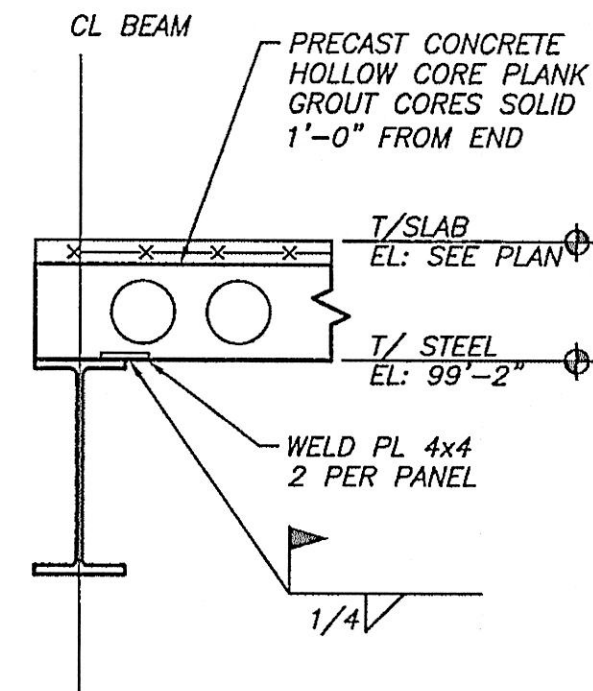


SHEAR WALL SCHEDULE

MARK	SHEATING		NAILS SP. @ PANEL EDGES	SIMPSON HOLD-DOWN @ ENDS OF SHEAR WALLS ONLY		# STUDS	SHEAR A.B.
	THICKNESS MIN.	SIDE		TYPE	ANCHOR BOLTS @ ANCHOR		
SW-1	1/2"	1	8d @ 3"	HD10A	SSTB34	3	5/8" DIA. @ 16" O.C.
SW-2	1/2"	1	8d @ 3"	HD10A	SSTB34	3	5/8" DIA. @ 16" O.C.
SW-3	1/2"	1	8d @ 3"	HD10A	SSTB34	3	5/8" DIA. @ 16" O.C.
SW-4	1/2"	1	8d @ 3"	HD10A	SSTB34	3	5/8" DIA. @ 16" O.C.

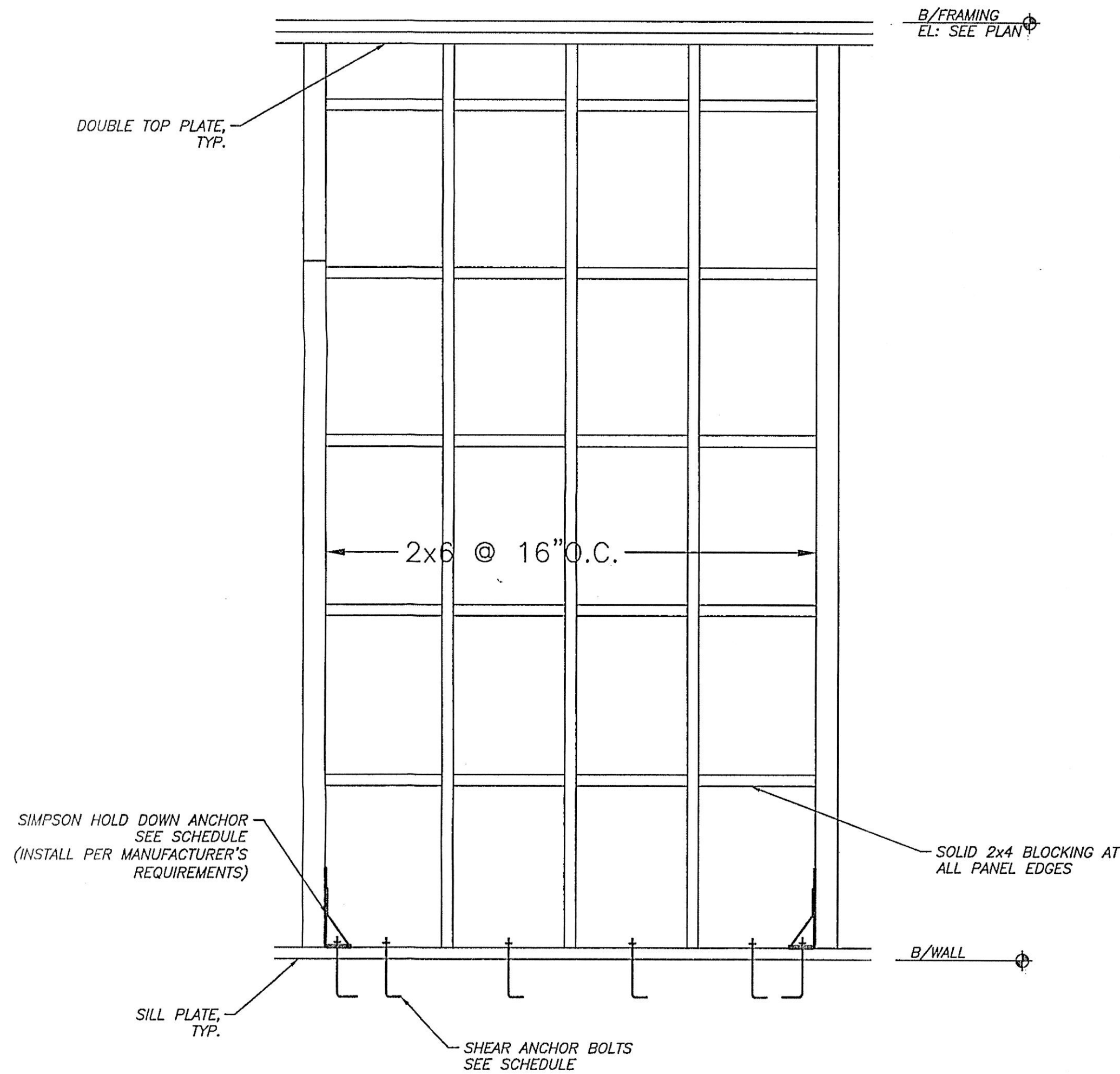
NOTES:

- USE APA RATE PLYWOOD.
- SIZE AND SPACING OF SHEAR BOLTS ASSUMES SHEAR ANCHORS ARE PLACED ALONG ENTIRE PLATE @ THE LINE WHERE THE SHEAR WALL OCCURS



1 SHEAR WALL SCHEDULE
S3.2

3 PRECAST PLANK OVER
LOWERED BEAM
S3.2



2 SHEAR WALL ELEVATION
S3.2

REVISIONS:
 09/07/2007: Issued for Permit
 10/25/2007: City Comments
 12/07/2007: City Comments
 02/07/2008: City Comments

AL & JOES DELI
 Congress Station, Crystal Lake, Illinois
 SUPERSTRUCTURE DETAILS

PARTNERS IN DESIGN
 ARCHITECTS
 Ph: (815) 946-0300
 Fax: (815) 946-1066
 770 Lake Cook Road, Suite 110
 Deerfield, Illinois 60015

PROJECT NO.: 479.06.025
 DRAWN BY: SG CHECKED BY: PGV
 DATE: 08.27.07
 SHEET NO.:

S3.2